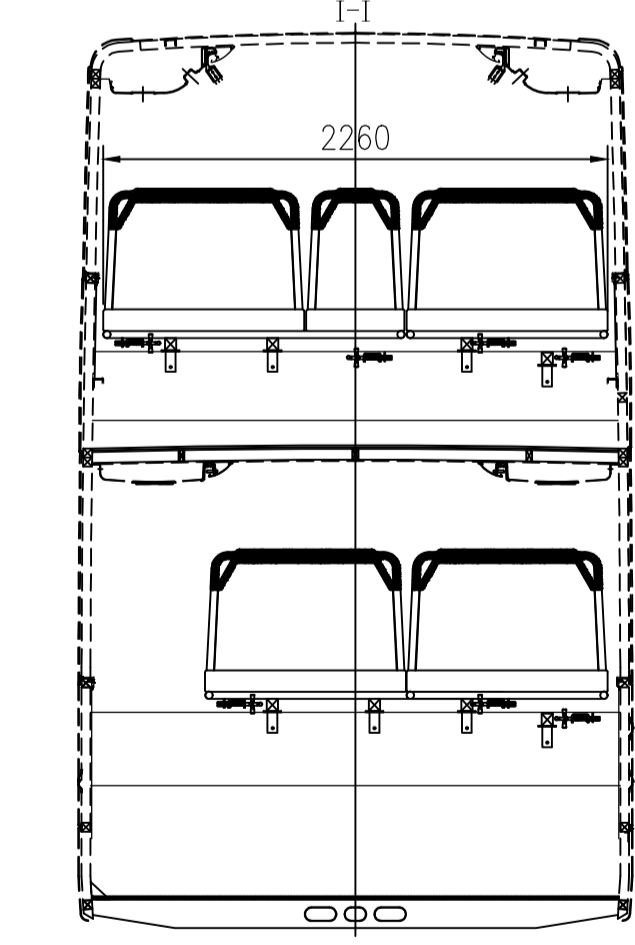
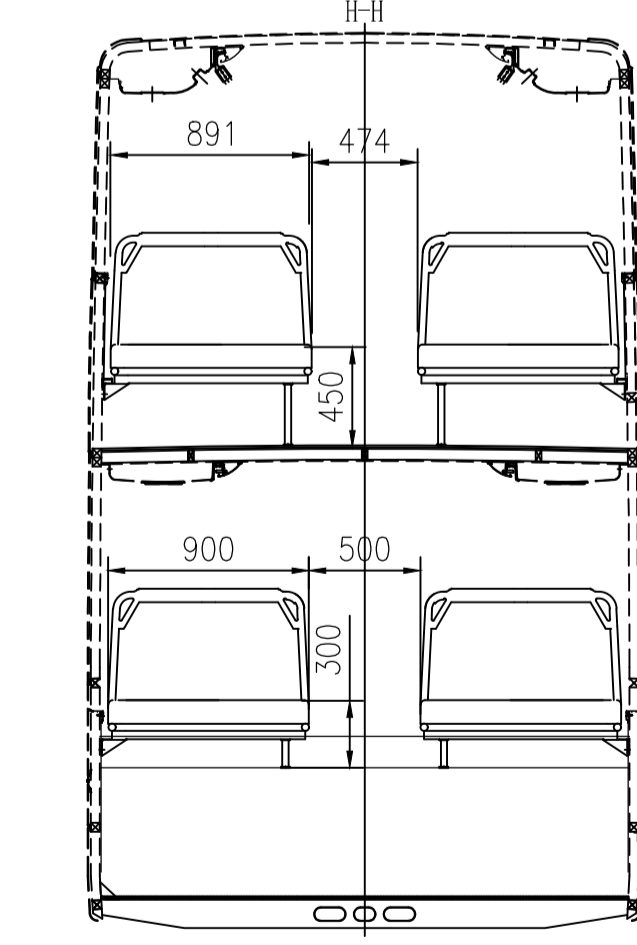
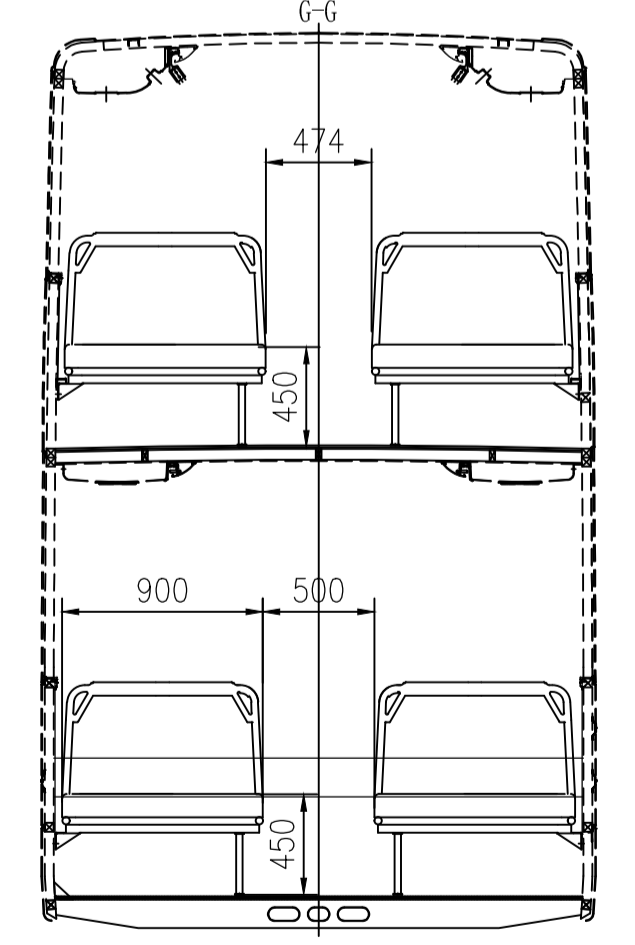
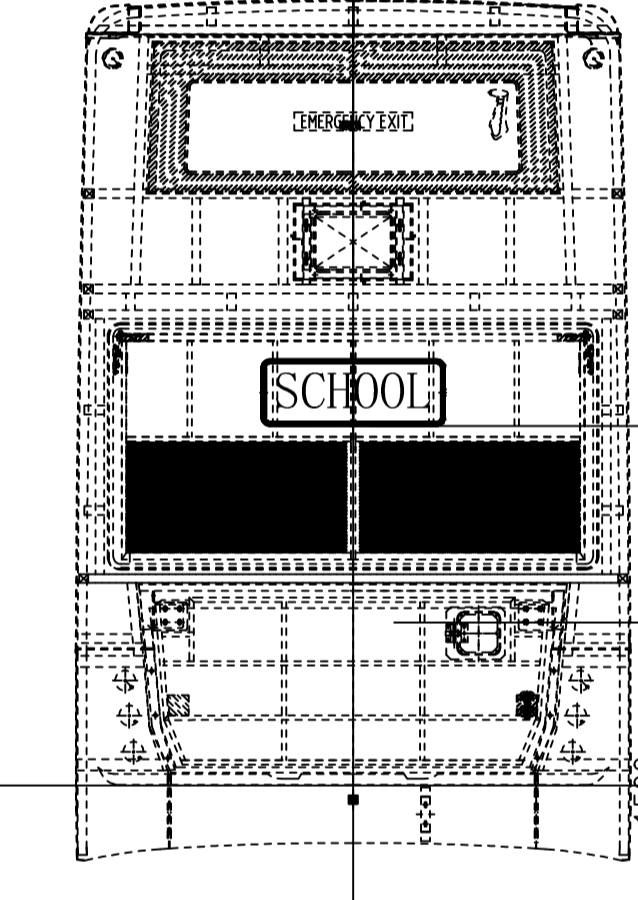
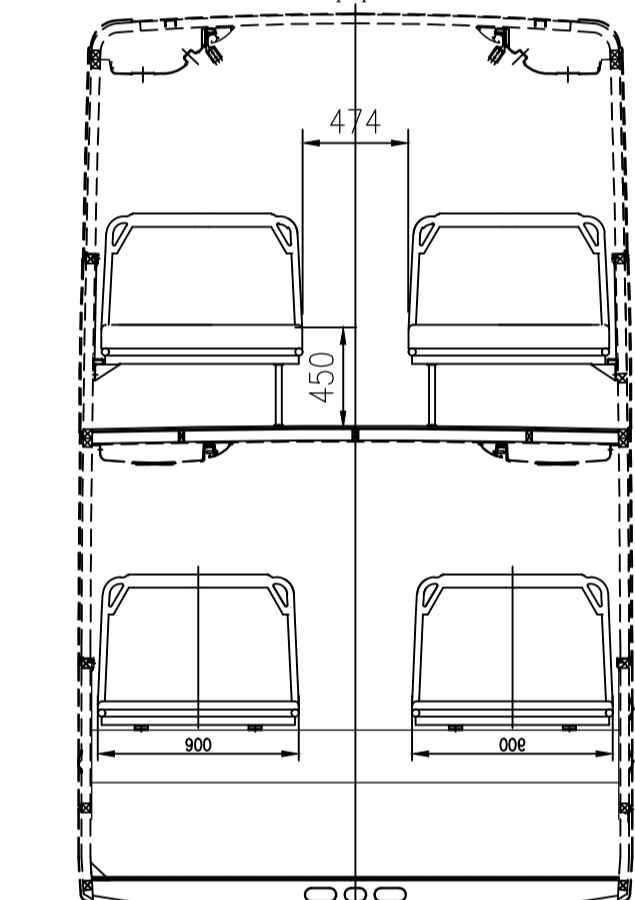
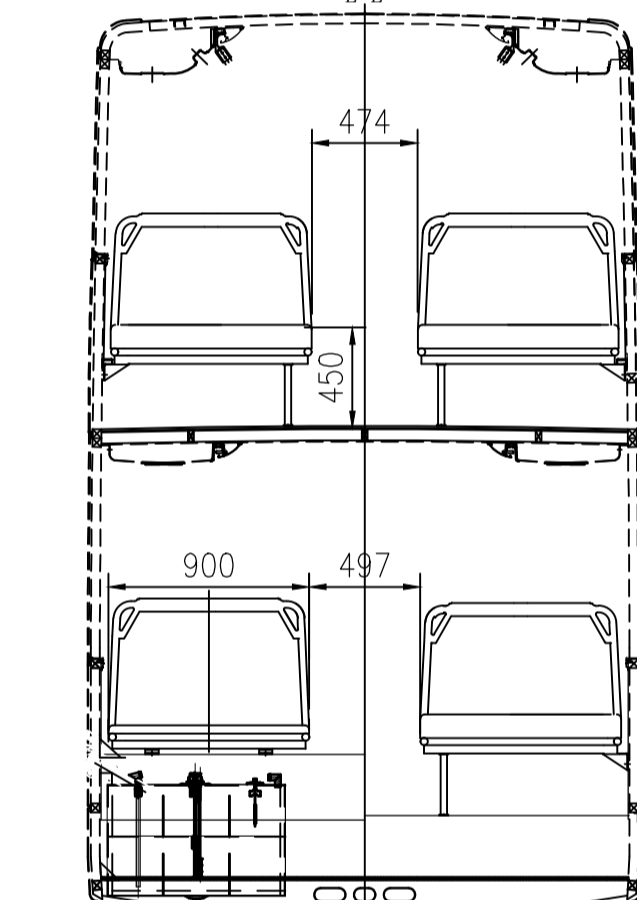
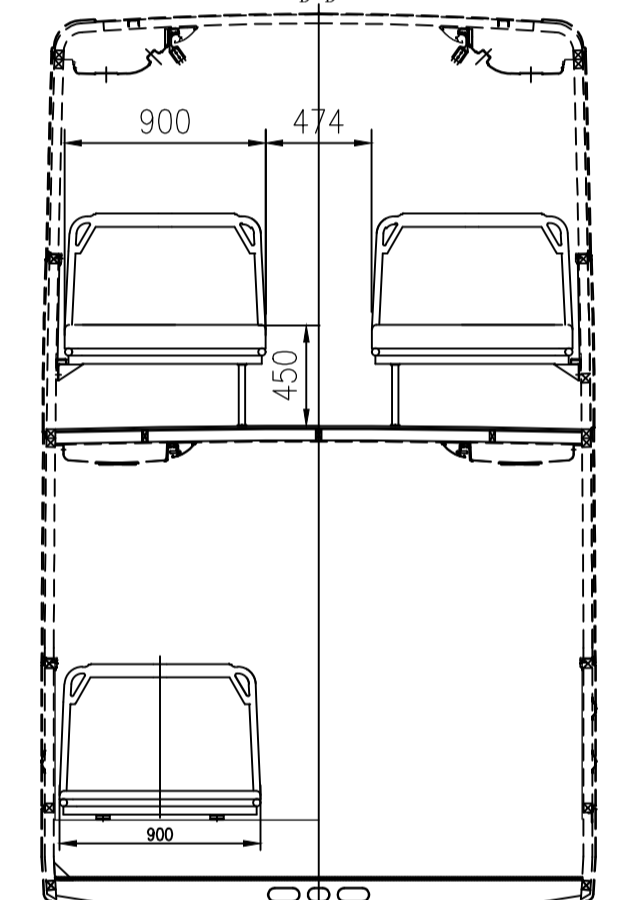
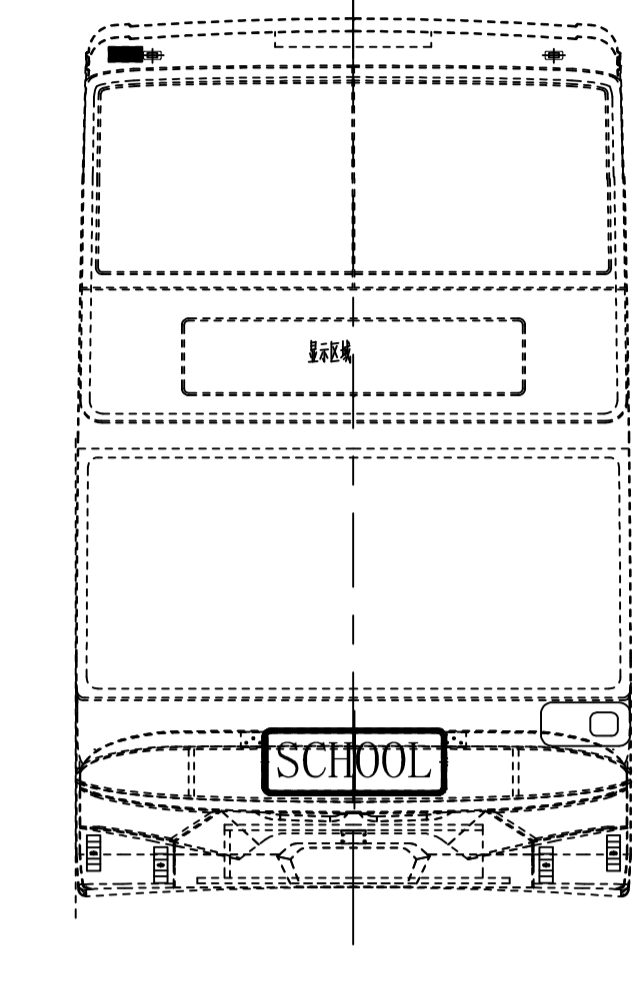
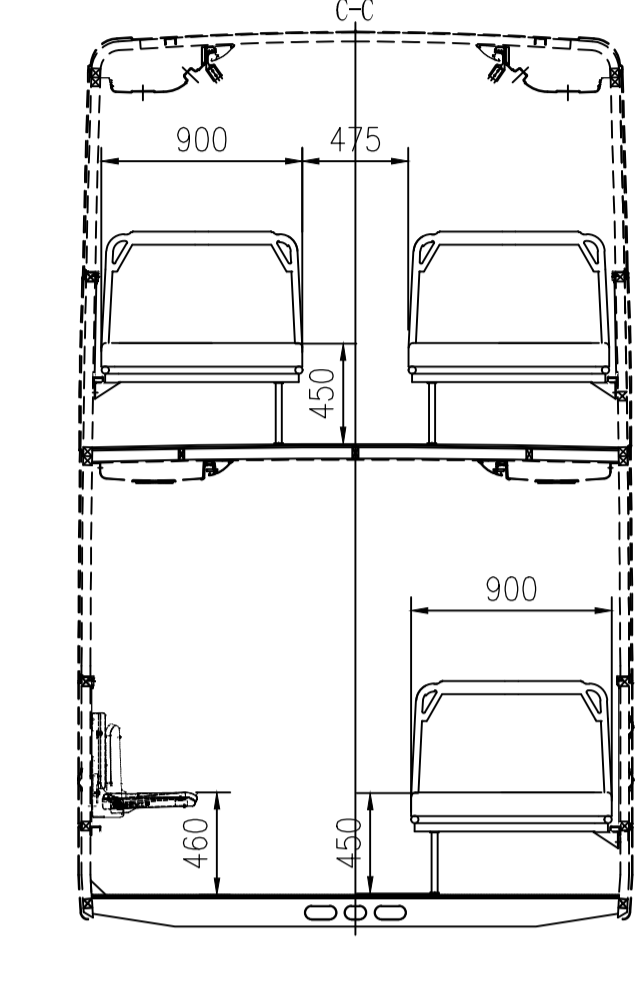
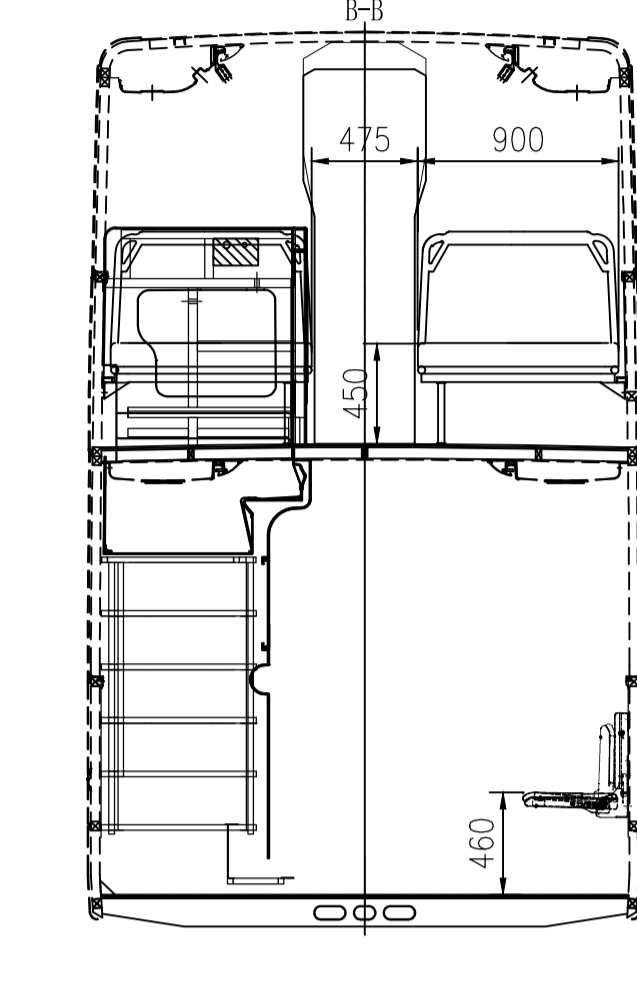
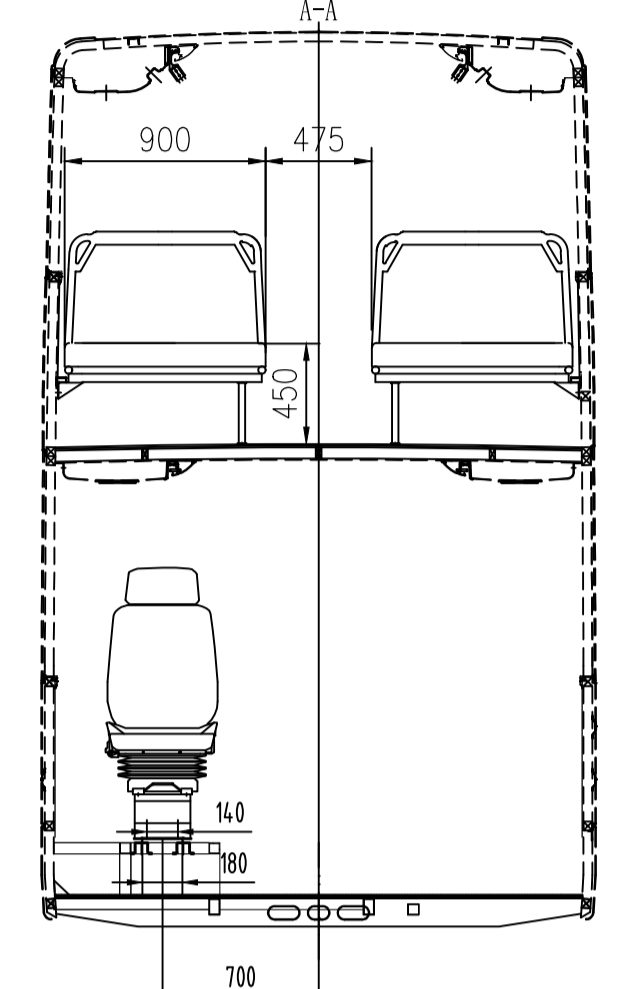
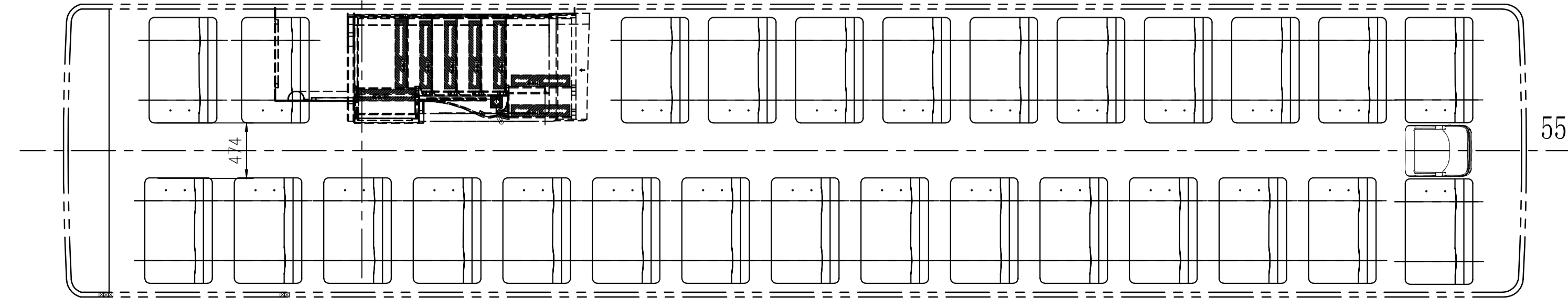
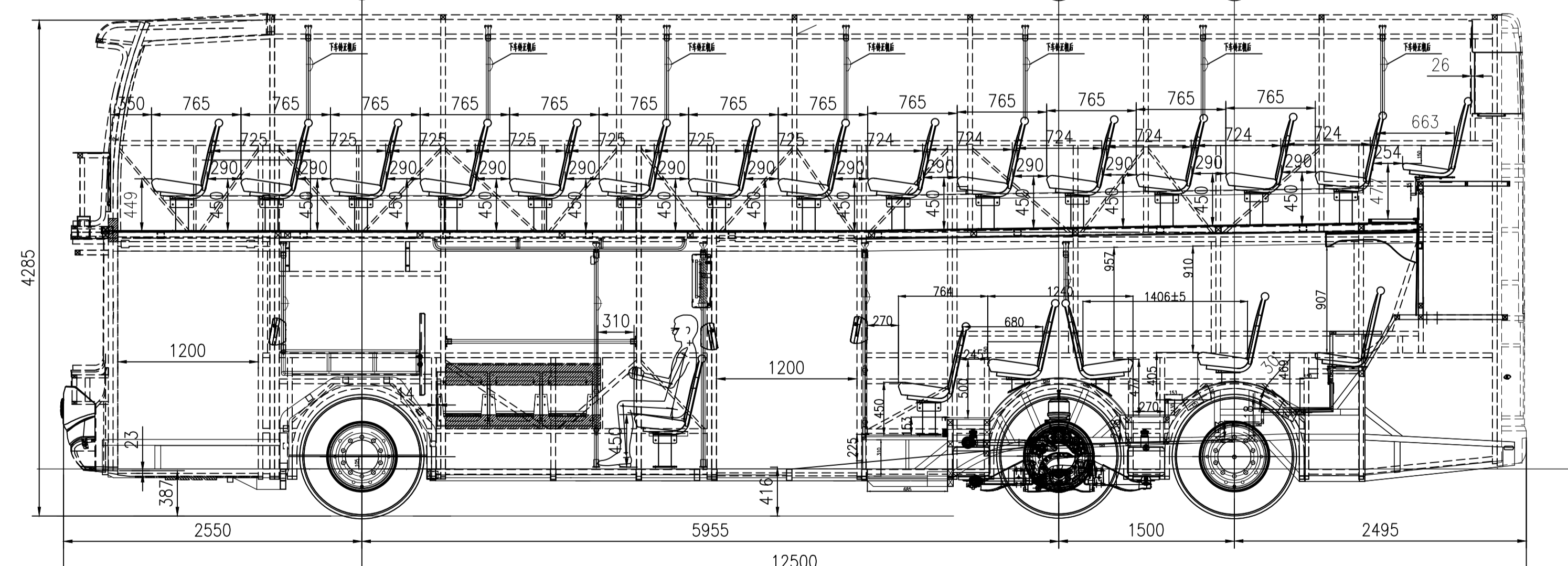
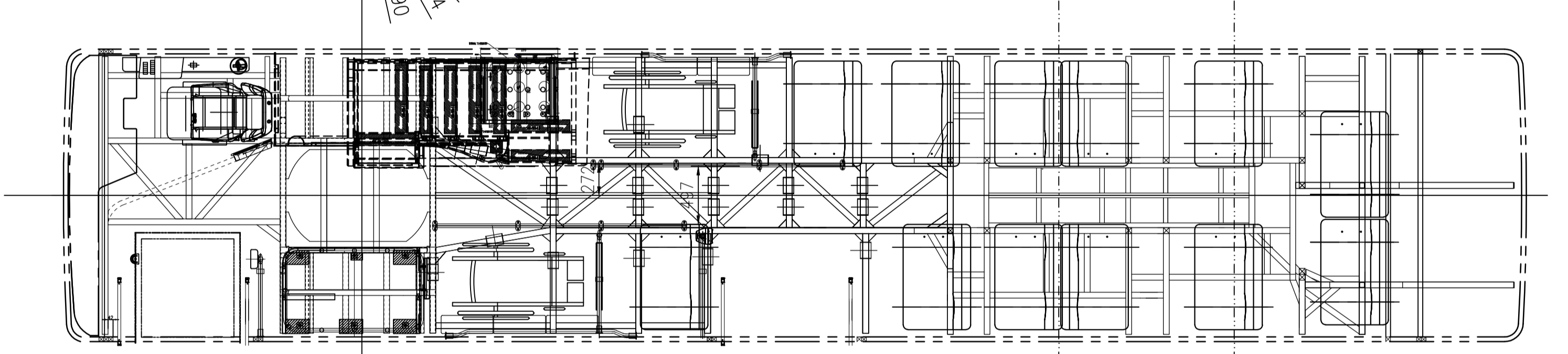
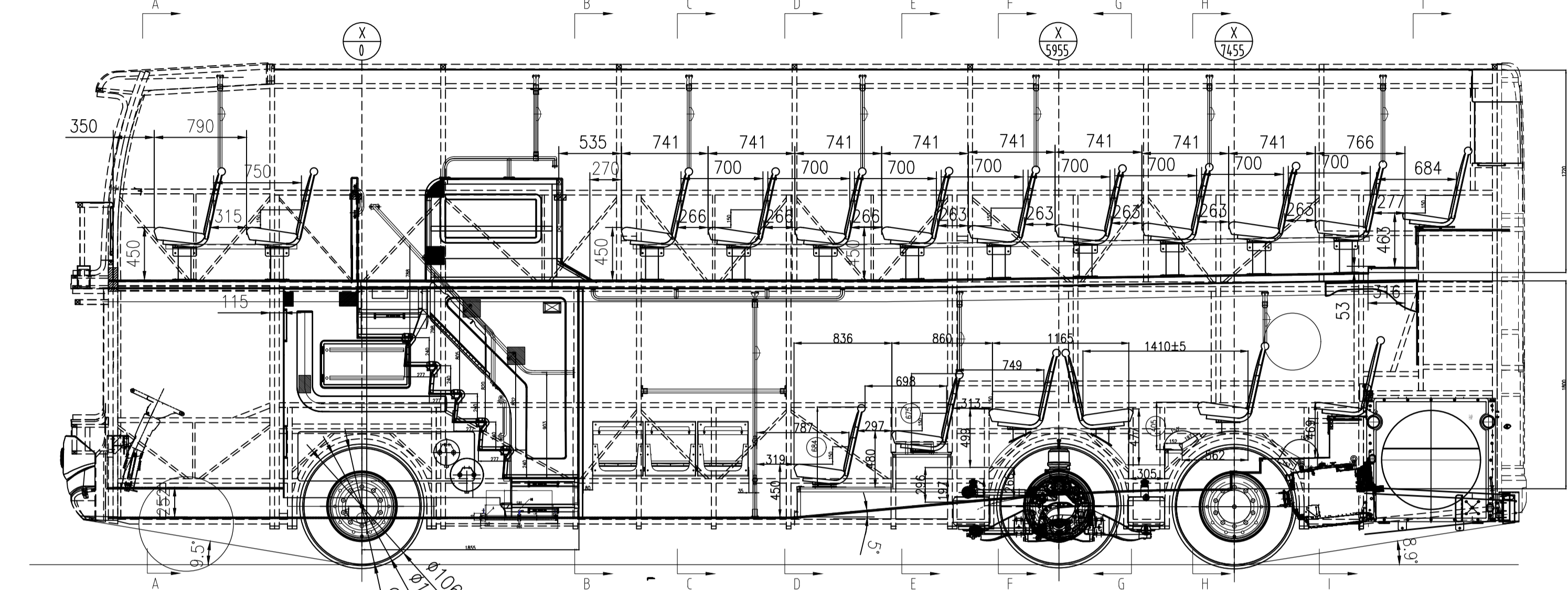


FBC6123BRS3-500000-05



通用件登记  
轴图  
轴号  
印底图号  
签字  
日期

|                                                                                                                                                                                                                                   |  |                                       |  |                                                  |  |
|-----------------------------------------------------------------------------------------------------------------------------------------------------------------------------------------------------------------------------------|--|---------------------------------------|--|--------------------------------------------------|--|
| 3                                                                                                                                                                                                                                 |  | INDEX:                                |  | REVISED BY: [Signature]                          |  |
| 2                                                                                                                                                                                                                                 |  | DRAWN:                                |  | DATE: 2017.9.18                                  |  |
| 1                                                                                                                                                                                                                                 |  | CHECKED:                              |  | BY: [Signature]                                  |  |
| REV                                                                                                                                                                                                                               |  | DESCRIPTION:                          |  | PART: FBC6123BRS3-500000-05                      |  |
|                                                                                                                                                                                                                                   |  | REVISIONS:                            |  |                                                  |  |
| 1                                                                                                                                                                                                                                 |  | CHANGE RESTRICTED                     |  | FIRST ANGLE                                      |  |
| THE INFORMATION CONTAINED HEREIN IS PROPRIETARY AND THE PROPERTY OF FENGLI AND MAY NOT BE REPRODUCED, COPIED OR USED FOR ANY PURPOSE OTHER THAN A SOLUTION TO OR IN CONNECTION WITH THE SPECIFIC WRITTEN AUTHORIZATION OF FENGLI. |  |                                       |  | 此资料包含的信息为专有信息，属于凤力汽车股份有限公司所有，未经书面授权，不得复制或用于其他目的。 |  |
| 凤力汽车股份有限公司<br>Fenuli Fongta Bus & Coach International Co., Ltd. (Engineering Center)                                                                                                                                              |  | 图号: FBC6123BRS3-500000-05<br>比例: 1:30 |  | 张数: 85+1<br>共页: 85 第页: 1<br>单位: 数量               |  |
|                                                                                                                                                                                                                                   |  | 公制 METRIC                             |  |                                                  |  |